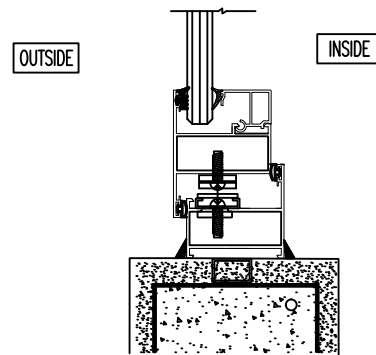


GERMAN STANDARD WINDOW



MALAYSIA PREMIUM WINDOW

German Windows Malaysia Sdn Bhd (9651677)

W www.germanwindows.com.my
 E enquiry@germanwindows.com.my

Note _____

Window Sash Properties

Client _____

Project _____

Drawing Title _____

Drawn by _____ Checked by _____

Elise Chong Andre Geffke

Drawing No. _____ Pg No. _____

02 01

Scale _____ Date _____

NTS 04-08-20

Revision Details _____ Rev. _____